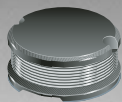


LEAD FREE
VERSIONS ARE
ROHS COMPLIANT



BOURNS®

Features

- Available in E12 series
- Low profile of only 3.2 mm
- Low inductance values
- Lead free version available (see How to Order)
- Lead free versions are RoHS compliant*

Applications

- Input/output of DC/DC converters
- Power supplies for:
 - Portable communication equipment
 - Camcorders
 - LCD TVs
 - Car radios

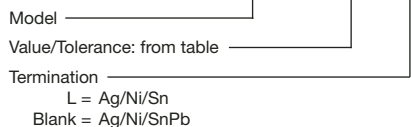
SDR0403 Series - SMD Power Inductors

Electrical Specifications

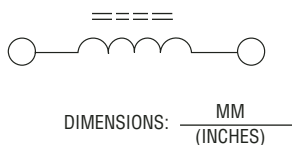
Bourns Part No.	Inductance 1kHz		Q Ref.	Test Frequency (MHz)	SRF Min. (MHz)	RDC (Ω)	I rms Max. (A)	I sat Typ. (A)
	(μH)	Tol. %						
SDR0403-1R0M_	1.0	± 20	28	7.96	150	0.033	3.80	5.50
SDR0403-1R4M_	1.4	± 20	28	7.96	110	0.038	3.30	5.10
SDR0403-1R8M_	1.8	± 20	28	7.96	90	0.042	2.91	4.40
SDR0403-2R2M_	2.2	± 20	28	7.96	80	0.047	2.60	3.90
SDR0403-2R7M_	2.7	± 20	28	7.96	75	0.052	2.43	3.50
SDR0403-3R3M_	3.3	± 20	28	7.96	65	0.058	2.15	3.00
SDR0403-3R9M_	3.9	± 20	28	7.96	55	0.076	1.98	2.70
SDR0403-4R7M_	4.7	± 20	28	7.96	50	0.094	1.70	2.60
SDR0403-5R6M_	5.6	± 20	28	7.96	45	0.10	1.60	2.40
SDR0403-6R8M_	6.8	± 20	28	7.96	40	0.12	1.41	2.10
SDR0403-8R2M_	8.2	± 20	28	7.96	36	0.13	1.26	1.90
SDR0403-100M_	10	± 20	28	2.52	33	0.18	1.15	1.70
SDR0403-120M_	12	± 20	28	2.52	30	0.21	1.05	1.60
SDR0403-150M_	15	± 20	28	2.52	28	0.24	0.92	1.40
SDR0403-180M_	18	± 20	25	2.52	23	0.34	0.84	1.30
SDR0403-220M_	22	± 20	25	2.52	20	0.38	0.76	1.20
SDR0403-270K_	27	± 10	23	2.52	17	0.52	0.71	1.00
SDR0403-330K_	33	± 10	23	2.52	15	0.54	0.64	0.99
SDR0403-390K_	39	± 10	20	2.52	14	0.59	0.59	0.92
SDR0403-470K_	47	± 10	20	2.52	13	0.84	0.54	0.78
SDR0403-560K_	56	± 10	20	2.52	12	0.94	0.50	0.74
SDR0403-680K_	68	± 10	20	2.52	11	1.12	0.46	0.68
SDR0403-820K_	82	± 10	25	2.52	10	1.27	0.42	0.58
SDR0403-101K_	100	± 10	35	0.796	9	1.90	0.35	0.51
SDR0403-121K_	120	± 10	50	0.796	8	2.20	0.32	0.44
SDR0403-151K_	150	± 10	50	0.796	8	3.40	0.26	0.40
SDR0403-181K_	180	± 10	50	0.796	5	3.90	0.24	0.39
SDR0403-221K_	220	± 10	50	0.796	4	4.40	0.22	0.33
SDR0403-271K_	270	± 10	45	0.796	3	5.00	0.20	0.30
SDR0403-331K_	330	± 10	40	1K	0.796	6.00	0.17	0.25
SDR0403-391K_	390	± 10	40	1K	0.796	6.40	0.15	0.22
SDR0403-471K_	470	± 10	50	1K	0.796	7.00	0.13	0.19
SDR0403-561K_	560	± 10	50	1K	0.796	7.80	0.12	0.18
SDR0403-681K_	680	± 10	40	1K	0.796	8.60	0.11	0.16
SDR0403-821K_	820	± 10	38	1K	0.796	12.00	0.10	0.15
SDR0403-102K_	1000	± 10	38	1K	0.796	14.00	0.09	0.13

How to Order

SDR0403 - 100M



Electrical Schematic



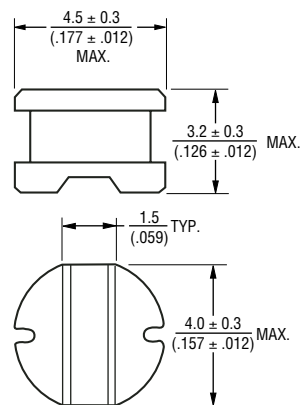
General Specifications

Test Voltage1 V
Reflow Soldering....230 °C, 50 sec. max.
Operating Temperature...-40 °C to +125 °C
(Temperature rise included)
Storage Temperature...-40 °C to +125 °C
Resistance to Soldering Heat
.....260 °C for 5 sec.

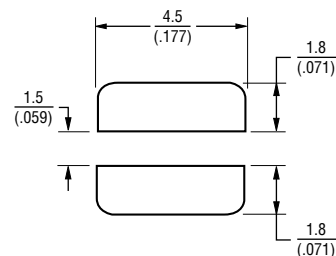
Materials

CoreFerrite DR
WireEnameled copper wire 130
Terminal ElectrodeSee How to Order
Rated Current
.....Ind. drop 10 % typ. at Isat
Temperature Rise.....40 °C max.
at rated I rms
Packaging2000 pcs. per reel

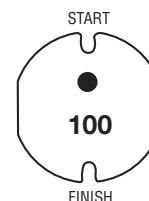
Product Dimensions



Recommended Layout



Typical Part Marking



*RoHS Directive 2002/95/EC Jan 27 2003 including Annex
Specifications are subject to change without notice.
Customers should verify actual device performance in their specific applications.

SDR0403 Series - SMD Power Inductors

BOURNS®

Packaging Specifications

